

DP-20F Specifications

Port Dimensions (14.3 GPM Max.)

Intake & discharge connection:

PTFE	3/4" NPT
	3/4" Flange
	3/4" Flaretek
Air inlet (incl. ball valve):	1/4" Female NPT
Air exhaust (incl. silencer):	3/8" Female NPT

Maximum Liquid Temperature*

PTFE	176°F (80°C)
------	--------------

Air Supply Pressure (All Models): 30–70 PSI

Discharge Volume Per Cycle:

0.0396 ~ 0.0422 gallons

Maximum Cycles Per Minute: 361

Air Motor: PTFE

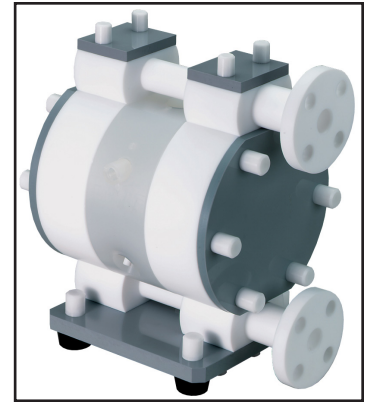
Valve Type: Flat or Ball

Flat check valve is recommended for increased flow (up to 5%) and suction lift applications.

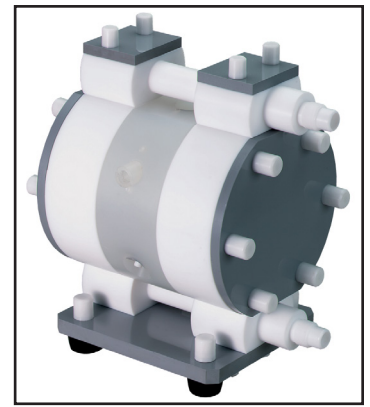
Ball check valve is recommended for flooded suction or viscous liquids.



NPT Dimensions:
10.43" L x 9.65" W x 12.91" H
Weight: 32 lb.s (14.6 kg)

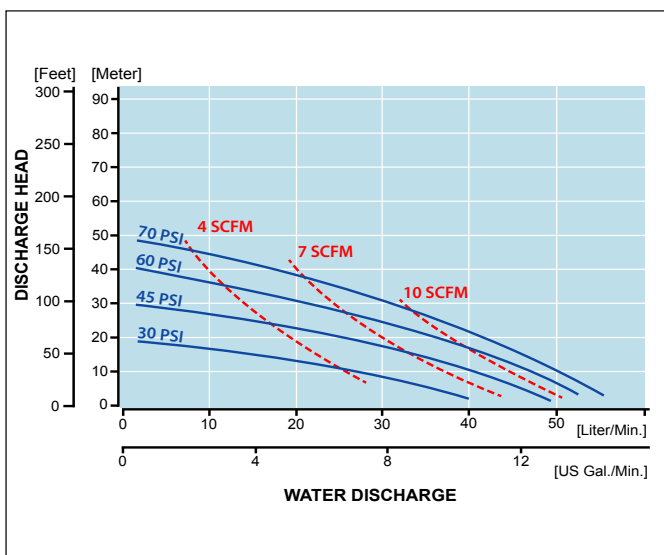


Flange Dimensions:
11.8" L x 9.65" W x 12.91" H
Weight: 34.2lb.s (15.5 kg)

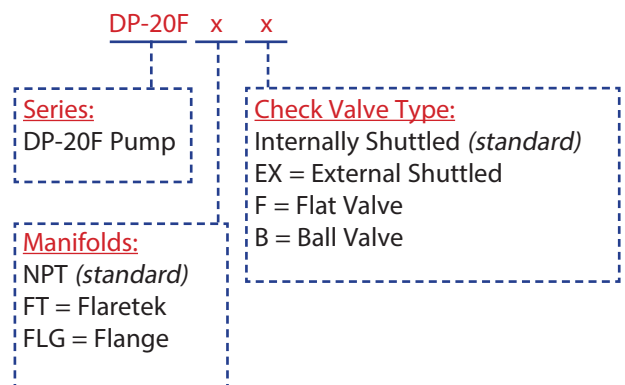


Flaretek Dimensions:
11.8" L x 9.65" W x 12.91" H
Weight: 34.2 lb.s (15.5 kg)

DP-20F Diaphragm Performance Curve

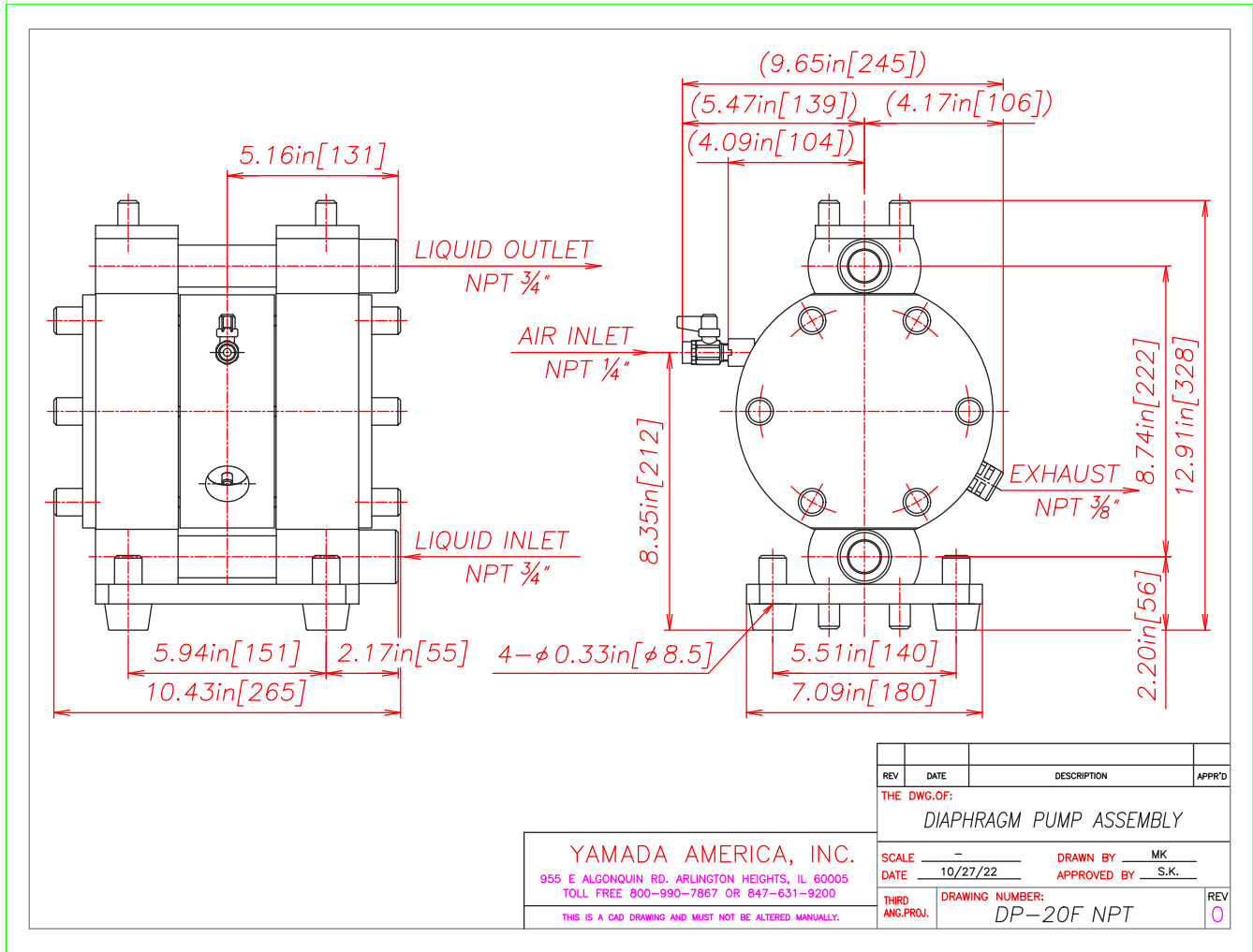


Model Number Nomenclature



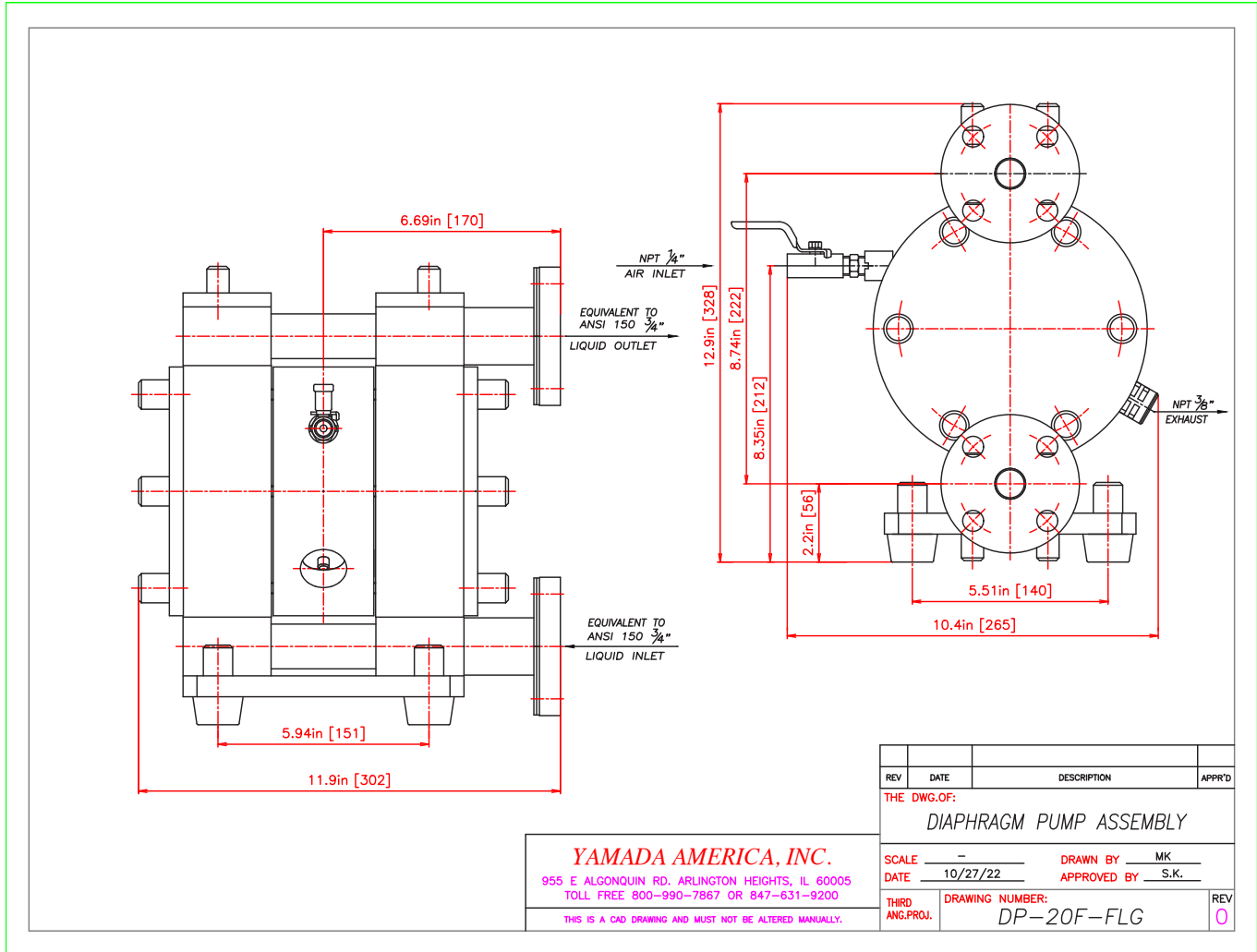
DP-20F Dimensions

DP-20F NPT Dimensions



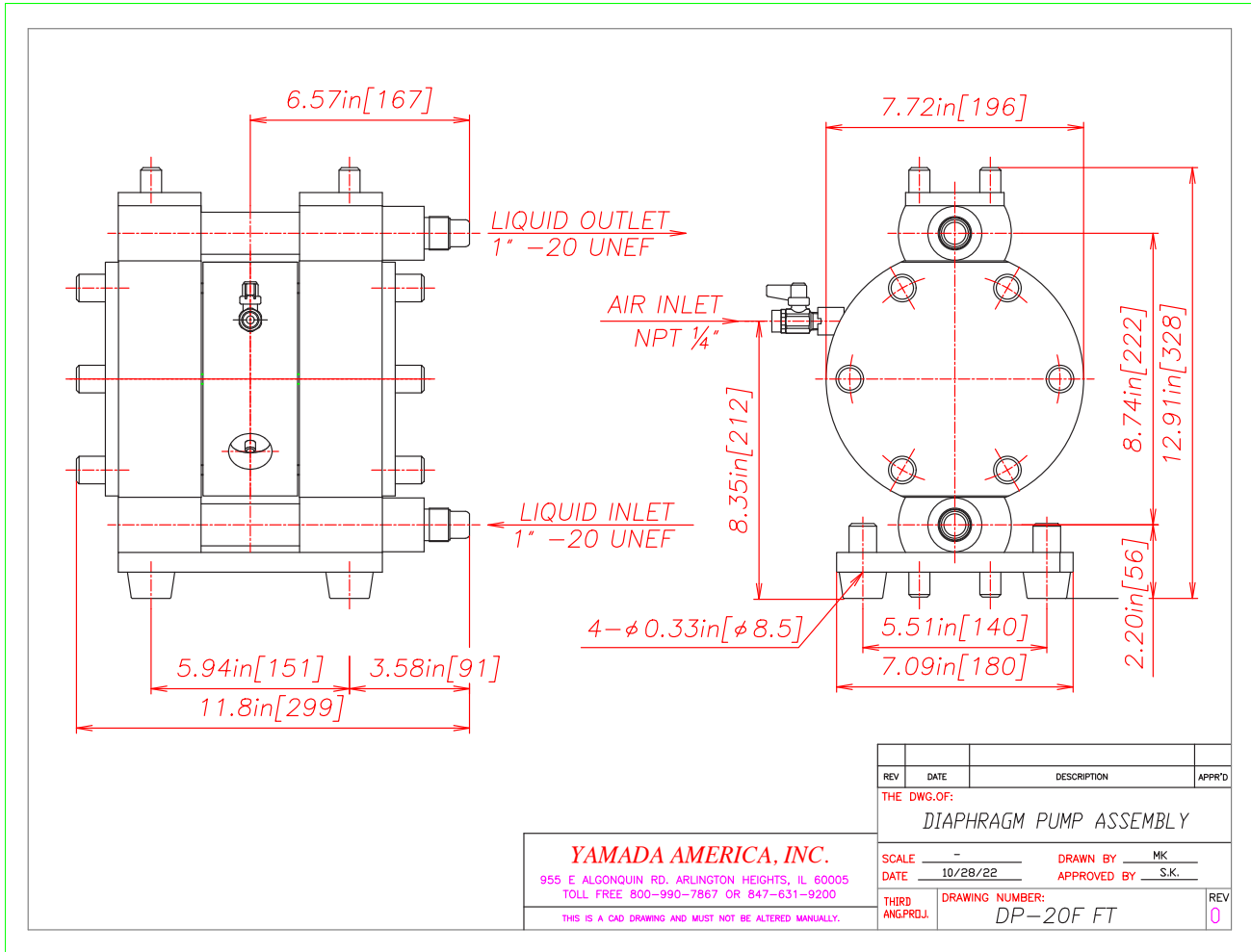
DP-20F Dimensions

DP-20F Flange Dimensions



DP-20F Dimensions

DP-20F Flaretek Dimensions



AutoCAD® is a registered trademark of Autodesk, Inc.

Hytrel® is a registered trademark of E.I. du Pont de Nemours and Company.

Kynar® is a registered trademark of Arkema.

Nordel™ is a trademark of DuPont Dow Elastomers.

Ryton® is a registered trademark of Chevron Phillips Chemical Company.

Santoprene® is a registered trademark of Advanced Elastomer Systems.

Viton® is a registered trademark of DuPont Performance Elastomers.

Swagelok™ & VCR™ are trademarks of the Swagelok Companies.

Flaretek® is a registered trademark of Entegris.

Garlock ONE-UP® is a registered trademark of W.L. Gore & Associates.

Yamada® is a registered trademark of Yamada America, Inc.

SolidPRO Designed to Pump Fluids Containing Solids® is a registered trademark of Yamada America, Inc.

Xtreme Duty Pro XDP® is a registered trademark of Yamada America, Inc.

The Proof's in the Pump® is a registered trademark of Yamada America, Inc.

The Proof is in the Pump® is a registered trademark of Yamada America, Inc.

Engineered to Perform. Designed to Outlast.® is a registered trademark of Yamada America, Inc.

Due to Yamada's continued commitment to product improvement, specifications may change without notice.